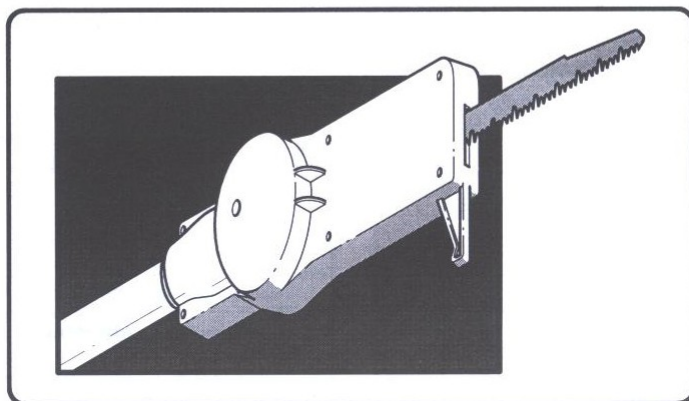


RYOBI®

RPN1100



(GB)	• OPERATOR'S MANUAL	6
(F)	• MANUEL D'UTILISATION	12
(D)	• GEBRAUCHSANLEITUNG	19
(E)	• MANUAL DE INSTRUCCIONES	26
(NL)	• GEBRUIKSHANDLEIDING	33
(S)	• BRUKSANVISNING	40
(N)	• BRUKSANVISNING	47



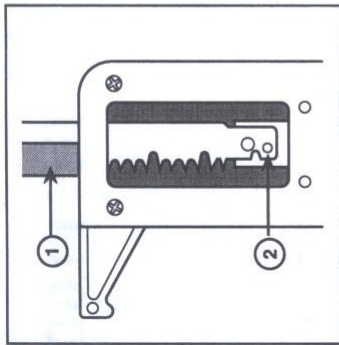


Fig. 1

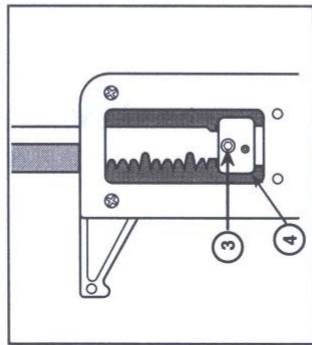


Fig. 2

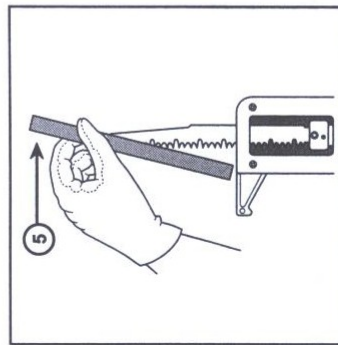


Fig. 3

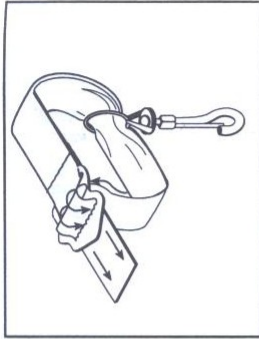


Fig. 4

Description of Parts - Figs. 1-3

1. Blade and Blade Cover
2. Pin
3. Blade Clamp Screw and Washer
4. Blade Clamp
5. Blade Cover

Désignation des pièces Fig. 1 à 3

1. Lame et protégé-lame
2. Goupille
3. Vis du serre-lame
4. Serre-lame
5. Protège-lame

Teilebeschreibung Abb. 1 bis 3

1. Sägeblatt und Sägeblattschutz
2. Stift
3. Schraube der Befestigungsvorrichtung
4. Befestigungsvorrichtung
5. Sägeblattschutz

Denominación de las piezas - Fig. 1 a 3

1. Cuchilla y cubre-cuchilla
2. Clavija
3. Tornillo de ajuste
4. Ajusta-cuchilla
5. Cubre-cuchilla

Beschrijving van de onderdelen Afb. 1 t/m 3

1. Zaagblad en bladbeschermer
2. Pin
3. Schroef en sluitring van de bladklem
4. Bladklem
5. Bladbeschermer

Beskrivning av delarna Fig. 1 till 3

1. Blad och fodral
2. Sprint
3. Skruv till bladklämna
4. Bladklämna
5. Fodral

Beskrivelse av deler Fig. 1-3

1. Blad og bladbeskytter
2. Splint
3. Skruer for bladklømme
4. Bladklømme
5. Bladbeskytter

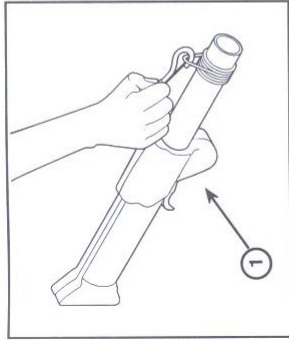


Fig. 5

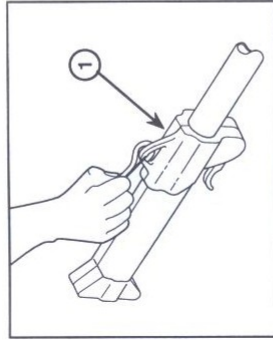


Fig. 6

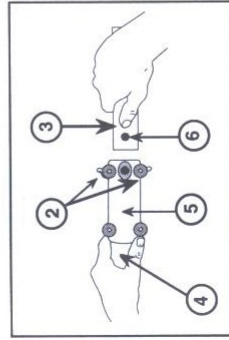


Fig. 7

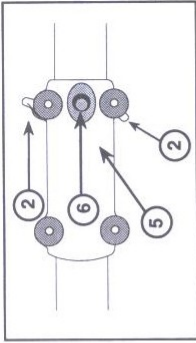


Fig. 8

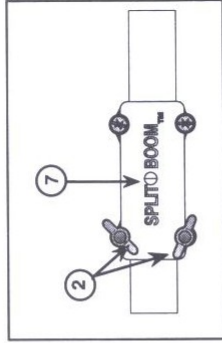


Fig. 9

Description of Parts - Figs. 5-9

1. Loop
2. Thumb Screw
3. Lower Boom of Pruner
4. Upper Boom
5. Blade Cover
6. Release Button
7. Sight Hole

Désignation des pièces Fig. 5 à 9

1. Boucle
2. Vis papillon
3. Manche inférieur de l'élagueuse
4. Manche supérieur
5. Protège-lame
6. Bouton de désaccouplement
7. Regard

Teilebeschreibung Abb. 5 bis 9

1. Öse
2. Flügelschraube
3. Untere Griffstange der Ausstützsäge
4. Obere Griffstange
5. Sägeblattschutz
6. Entriegelungsknopf
7. Schauloch

SAFETY WARNINGS

BEFORE OPERATION:

- Do not use the pruner to cut branches or limbs that are larger than four (4) inches in diameter. Use a chainsaw or manual saw for these applications.
 - Be aware of the forces at work when pruning. Unexpected reactions can occur in situations such as a pinch or contact of the blade against wood or other materials.
 - To avoid the risk of falling, never use the pruner while standing on a ladder or climbing a tree.
 - Keep blade clear of debris.
 - Keep clothing and body parts away from the cutting blade.
 - Keep clear of cutting blade at all times. The blade is sharp and can cut you. Never point the cutting end of the pruner at yourself or other persons. Do not grasp the exposed cutting blade when picking up or holding the unit.
 - Never attempt to clear the blade of debris with the engine/motor running.
 - Avoid contact with blade housing.
 - Blade friction causes heat.
 - Never operate the pruner without the blade in place, properly secured, and in working order.
 - Do not hold material with one hand while cutting with another. To avoid the risk of injury to arms and hands, always keep both hands on the control surfaces of the unit.
 - Do not use dull blades.
 - Keep hands and feet away from cutting area.
 - If you accidentally strike a foreign object, stop the engine/motor and inspect the pruner for damage and repair before restarting it.
- Carefully read and understand the operator's manual of the unit that powers this attachment.
 - Before each use, check the pruner thoroughly for damage to the unit. Keep the pruner clean and free of any build-up of dirt, wood chips or tree sap.
 - Inspect each branch before cutting. Be sure there are no nails, rocks, or other foreign materials embedded in the tree.
 - Check area to be pruned for overhead power and/or electrical lines.

WHILE OPERATING:

- Always wear full face shield and hard hat at all times when using the unit. They provide protection against flying objects.
- Always wear gloves while handling or installing the blade.
- Do not operate the unit while under the influence of drugs, alcohol or medication.
- Wear a dust mask if use will create a dust laden environment.
- Dress properly. Do not wear loose clothing or jewelry. They can be caught in moving parts.
- When pruning, never force the pruner through wood. It will do a better and safer job if it is used with a firm, consistent pressure that allows the cutting blade to work its way through the wood.

SAFETY WARNINGS (Continued)

- To avoid injury from falling branches, never stand under the branch being cut. Stand well to the side of the fall path of the branch being pruned.
- Keep bystanders, especially children, and pets at least 50 ft (15 m) away.
- Never operate without good visibility or light.
- Keep work area clear of debris.
- Exercise caution to avoid slipping and falling.

SPECIAL SAFETY WARNINGS

FOR GAS POWERHEADS AND TREE PRUNERS

- To reduce the risk of electrical shock, do not use the pruner near power lines or electrical wires.
- Avoid spilling the fuel when mixing the oil.
- Always operate and refuel the power unit in a well-ventilated area.
- Move away from the fueling area when starting the unit.
- Do not smoke while operating the unit.
- Avoid hot surfaces of exhaust.
- Store in an area free of potential fuel vapor ignition sources such as open flames (pilot lights) or electrical sparking devices (switches, electric motors).
- Turn off the engine and let it cool before refueling or before putting the unit in storage, or performing any maintenance.









AFTER OPERATING:

- Only qualified personnel should perform any repairs or maintenance procedures that are not described in this manual.
- Keep blade cover on the blade when not using the pruner.

SPECIAL SAFETY WARNINGS FOR ELECTRIC POWERHEADS AND TREE PRUNERS

- To reduce the risk of electrical shock, do not use the pruner near power lines or electrical wires. Always keep extension cord to rear of the unit.
- Avoid dangerous environments - never operate pruner in damp or wet conditions.
- To reduce the risk of electric shock, do not expose the unit to rain or operate unit on wet ground.

SAFETY WARNINGS (Continued)

SYMBOLS/LABELS	EXPLANATION
	<ul style="list-style-type: none"> Attention! Observe the following safety warnings.
	<ul style="list-style-type: none"> Read operator's manual.
	<ul style="list-style-type: none"> Wear eye and ear protection.
	<ul style="list-style-type: none"> Keep bystanders at least 15 m away from unit during operation.
	<ul style="list-style-type: none"> Do not operate unit in rain.
	<ul style="list-style-type: none"> Wear full face shield protection and safety hard hat.
	<ul style="list-style-type: none"> To reduce the risk of burns, avoid contact with blade housing.
	<ul style="list-style-type: none"> Do not use more than one boom extension.

ASSEMBLY INSTRUCTIONS

INSTALLING BLADE

- Slide the blade cover past the end of the blade to expose the pin end. Insert the blade through the pruner foot and install the blade over the pin (Fig. 1).
- Install the blade clamp over the blade end and pin. Install the lock washer and blade clamp screw. Tighten the screw with the Allen wrench (Fig. 2).
- Before operating, remove the blade cover completely (Fig. 3).

INSTALLING SHOULDER STRAP

- Take the end of the shoulder strap without the buckle and push it through the ring on the snap.
- Loop the strap through the buckle (Fig. 4).
- Snap the shoulder strap onto the loop. Refer to Fig. 5 or Fig. 6 to identify the type of loop on your unit. Adjust the length of the strap.

Assembling Boom Extension

If you need to install the enclosed boom extension to access taller trees, use the instructions under "Assembling Attachment to Powerhead".

ASSEMBLING ATTACHMENT TO POWERHEAD

- Loosen the thumb screws of the Split Boom® coupler on the powerhead. This will allow the pruner attachment to be inserted into the coupler (Fig. 7).
- Remove the protective hanger from the pruner attachment boom and push it into the coupler (Fig. 7).

OPERATING INSTRUCTIONS

1. Operate the trigger on the powerhead with one hand and hold the handle with the other hand (Fig. 10a for units with a J-handle, Fig. 10b for units with a D-handle). Loop the shoulder strap over the shoulder. Make sure the handle is in a comfortable position and
2. Operate the pruner attachment in the correct operating position (Fig. 11).
3. When operating the pruner, the foot of the pruner must rest against the tree limb you are cutting (Fig. 12).
4. Make the first cut one (1) foot from the final cut (Fig. 13).
5. Cut outside of the branch collar to avoid damage to the tree (Fig. 14).

PRUNING TIPS

Why Prune?

- Trees need to be trained. If they are not, they may grow into a tangled and potentially dangerous area of the yard. Pruning is useful for sizing and shaping, removal of broken branches and maintaining the tree's health.

When to Prune?

Pruning can be done at any time during the year. But, the best time is during the dormant (winter) season.

What to Look for?

Finding problem areas in a tree can be difficult. Look for and remove:

- **Dead or dying branches.** Cut them back to a healthy branch or the trunk because they may carry insects or diseases.

MAINTENANCE AND REPAIR INSTRUCTIONS

BLADE CLEANING/ REPLACEMENT

Cleaning the Blade

Clean the blade after each use to remove pitch, gum, sap, etc. Use the following instructions to clean the blade.

1. Cover the blade.
 2. Remove the blade clamp screw, lock washer and the blade clamp (see Fig. 2).
 3. Remove the blade (see Fig. 1).
 4. Remove the cover from the blade.
 5. Clean the blade with commercially available saw blade cleaners, turpentine or kerosene.
 6. Reinstall blade, blade clamp, lock washer and blade clamp screw.
- Wipe pruner using a water-dampened rag only. Never submerge pruner in water or let water flow into the plastic housing. Do not use solvents or cleaning agents. They will damage the plastic housing.
 - When not in use, the pruner should be stored indoors in a dry and locked location - out of the reach of children.
 - Always install the blade cover on the blade when not in use.

Replacing the Blade

Replace the blade:

- if the blade is damaged or bent, or
- if you are required to force the moving blade through wood, or
- when the motor/engine slows excessively while cutting, or
- when the blade is dull, or
- every one (1) hour (accumulative) of actual cutting time.

REPLACEMENT PARTS

Blades with Covers (2) 180966R
Blade Clamp 181155
Blade Clamp Screw 181156
Allen Wrench 181167
Hanger 612605
Shoulder Strap 682075R

All information, illustrations and specifications in this manual are based on the latest product information available at the time of printing. We reserve the right to make changes at any time without notice.

Copyright © 1996 Ryobi Outdoor Products, Inc. All Rights Reserved.